

# LXNAV RS485toRS232 Bridge

Installation manual Version 1.1



LXNAV d.o.o. • Kidričeva 24a, 3000 Celje, Slovenia • tel +386 592 33 400 fax +386 599 33 522  
[info@lxnav.com](mailto:info@lxnav.com) • [www.lxnav.com](http://www.lxnav.com)

---

<b>1.1</b>	<b>Packing Lists</b> .....	<b>3</b>
<b>1.2</b>	<b>Basics</b> .....	<b>3</b>
<b>1.3</b>	<b>Installation</b> .....	<b>3</b>
<b>1.4</b>	<b>Wirings</b> .....	<b>4</b>
1.4.1	Radios .....	4
1.4.1.1	Funkwerk ATR833.....	4
1.4.1.2	Dittel KRT2.....	5
1.4.1.3	Trig TY 91/92 .....	5
1.4.2	Transponders.....	6
1.4.2.1	Becker BXP6402.....	6
1.4.2.2	Trig TT 21/22 .....	6
<b>2</b>	<b>Revision History</b> .....	<b>7</b>

## 1.1 Packing Lists

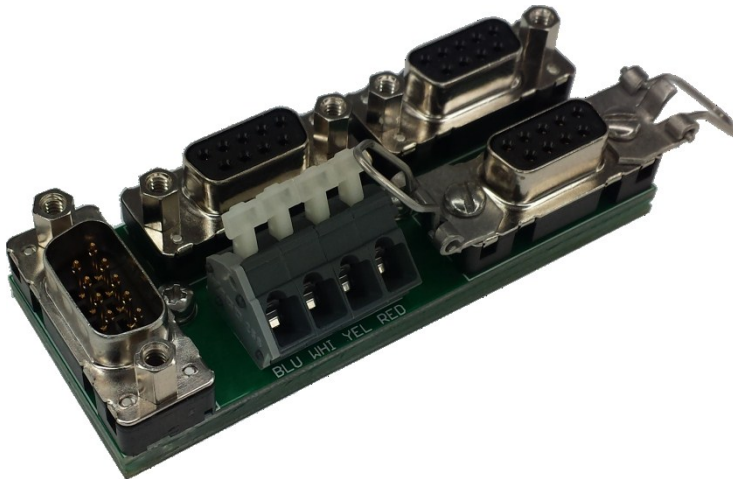
- 485to232 bridge
- Pair of spring locks for RS485 splitter

## 1.2 Basics

LXNAV RS485toRs232 bridge (Bridge) is connected to RS485 bus through RS485 splitter DB9 connector. RS485 splitter is not part of package. If you dont have spare port on RS485 splitter, you must order it.

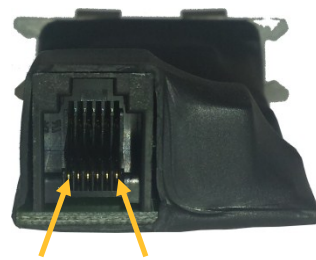
## 1.3 Installation

RS485 splitter needs small modification, the Bridge can be fitted. It's necessary to remove two HEX screws, where Bridge will be connected and screw back two spring locks, that are in package.



After that fixing Bridge to RS485 splitter will be very easy.

On the other side of Bridge is RJ12 connector with standard IGC/FLARM pinout



1 2 3 4 5 6  
Pin numbers

Pin number	Description
1	(output) 12V DC, to supply GPS
2	3.3V DC (max 100mA)
3	GND
4	Flarm Data Out
5	Flarm Data In
6	Ground

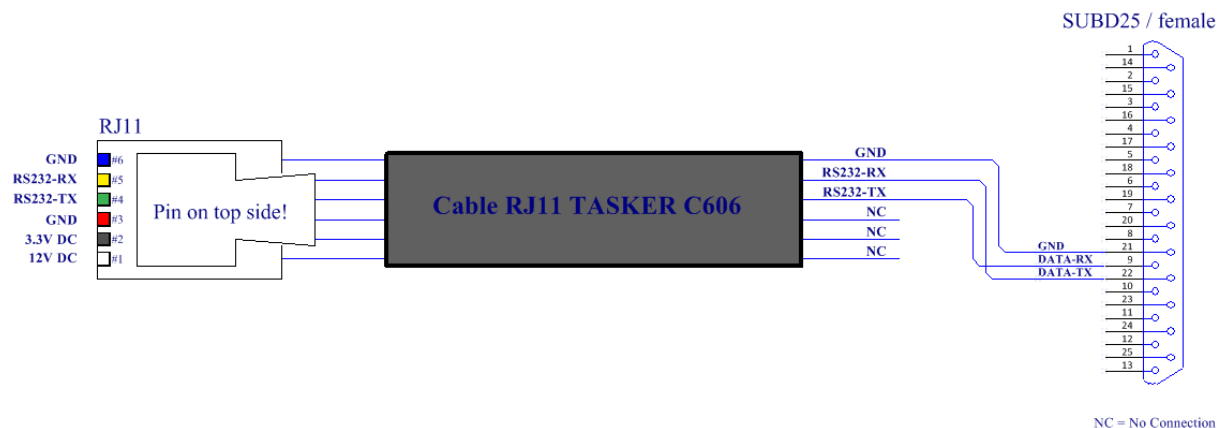
By default Bridge is programmed to stream NMEA data on 4800bps. It streams standard GPS and Flarm data.

### 1.4 Wirings

Wirings show minimal required connection for communication between a LXNAV instrument and radio or transponder. User should read manual of connected device for everything else.

#### 1.4.1 Radios

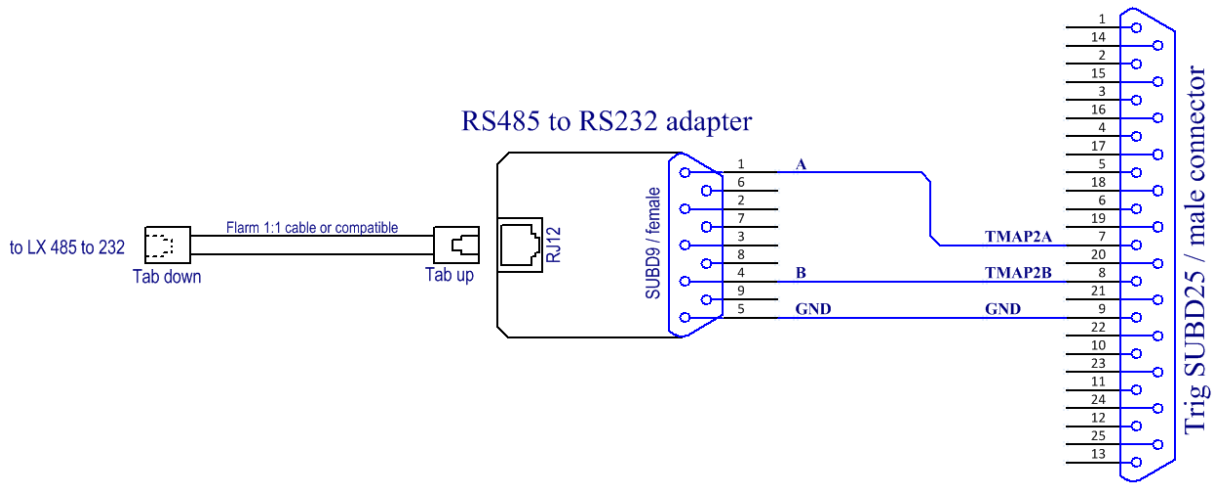
##### 1.4.1.1 Funkwerk ATR833



**1.4.1.2 Dittel KRT2**

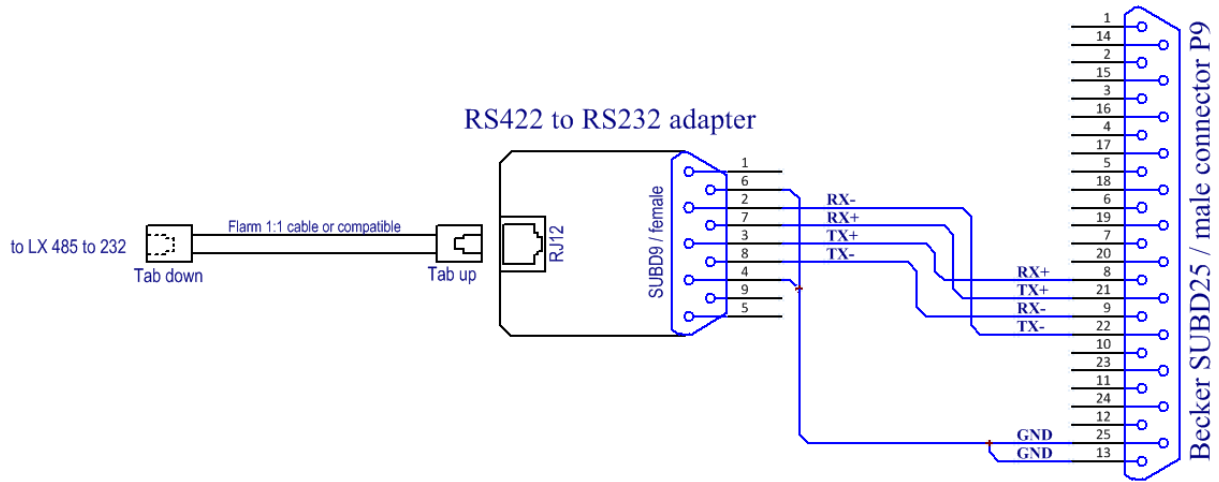


**1.4.1.3 Trig TY 91/92**

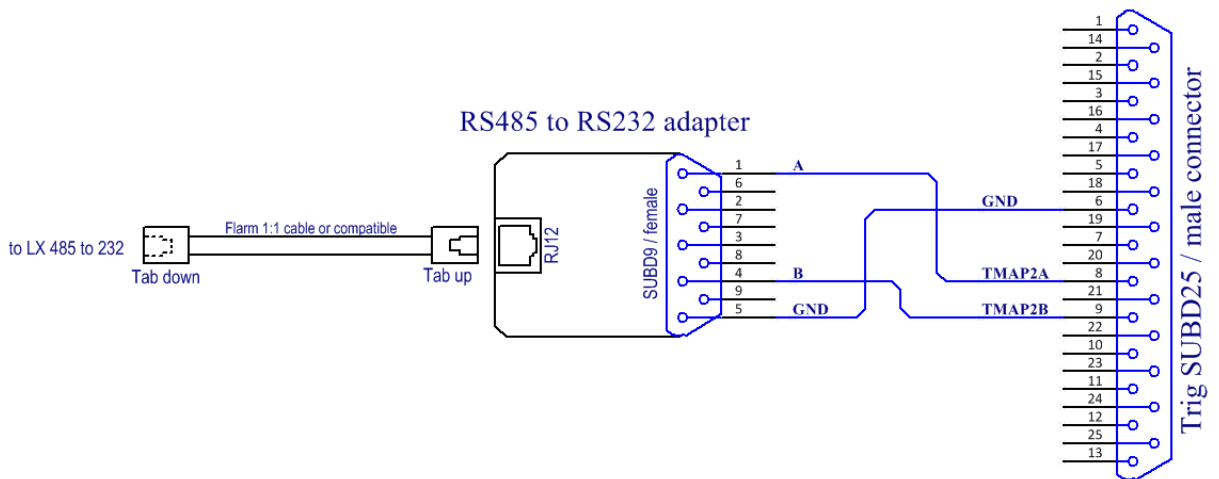


### 1.4.2 Transponders

#### 1.4.2.1 Becker BXP6402



#### 1.4.2.2 Trig TT 21/22



## 2 Revision History

August 2014	Initial release of owner manual
July 2015	Added chapters 1.4.1.3